



## IRRUP Iran Rupture Disc

Safety; Your Desire, Our Solution

Over pressure or discharge indication  
for rupture disc and relief valve applications

The Rupture Disc Indicator RDI is a simple and effective means of indicating when the process media ruptures a disc or opens a relief valve.

## RDI Series

Rupture Disc Indicator



6' PTFE sheathed  
lead wire (cable)

### Operation

The RDI installs onto the vent side of a rupture disc assembly or onto the discharge side of a relief valve. Upon rupture of the disc or discharge of the relief valve, the RDI alarm circuit is opened by the flowing media.

# Features

- One time use, LOW COST
- Sizes 1" thru 24"
- Compatible with Metal or Graphite Rupture Discs or for stand alone use [relief valve applications]
- Resistant to most chemicals
- Minimizes downtime due to immediate burst indication
- Supplied ready for installation
- Installs easily into existing pipe systems
- Furnished with attached 6 foot PTFE sheathed lead wire (cable)
- No routine maintenance required
- Installs on outlet side of rupture disc or rupture disc holder isolating the RDI from the process media

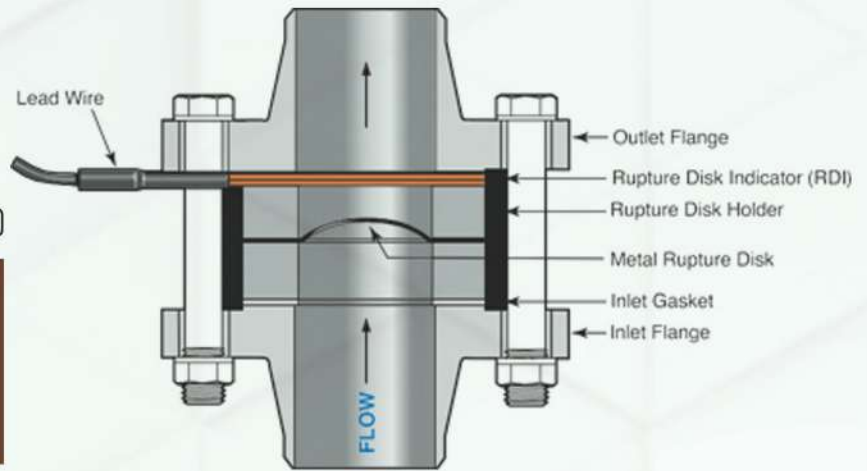
## Typical Installation

### Materials

Gaskets – Compressed fiber  
 Membrane – Kapton®  
 Conductive material – Silver  
 Leadwire – 6 foot, 24 AWG, 2 conductor  
 PTFE sheathed leadwire (cable)

#### RDI Operating Limits

Max. Voltage .....24 VDC  
 Max. Current .....150 mA  
 Temp. Range .....-20 to +350°C



Note: RDI is considered a simple device, therefore, approval is not required. Installation must be in accordance with ANSI/ISA RP12.6 and the NEC (ANSI/NFPA 70)

### Specifications

Disc Size	Minimum Burst Pressure bar @ 22°C	Nominal Indicator Thickness (mm)
1"-2"	0.5	3.5
3"	0.4	
4"	0.3	
6"-24"	0.2	

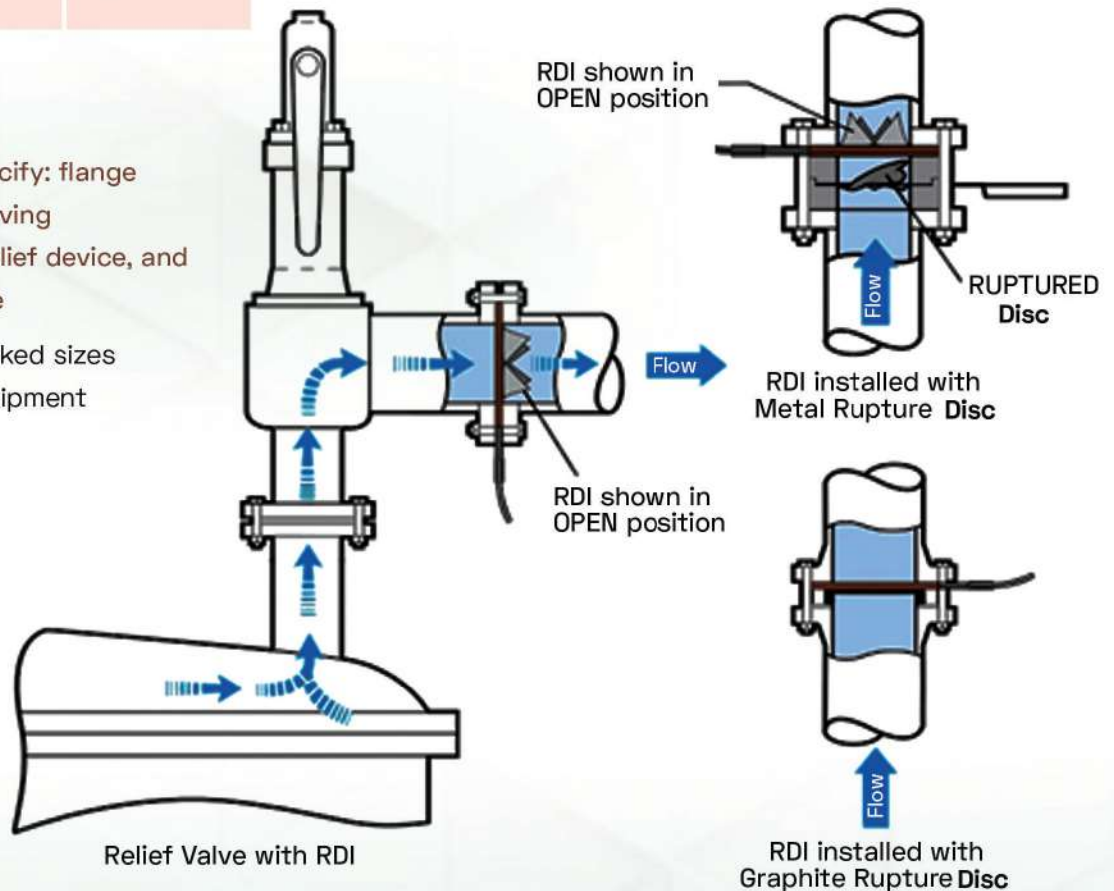
KAPTON - Registered TM DuPont

### Ordering Information

When ordering RDI, specify: flange size, flange series, relieving pressure of pressure relief device, and coincident temperature

Contact IRRUP for stocked sizes ready for immediate shipment

### Ruptured Disc and Relief Valve Applications



**More Info:**



www.irrup.com

Office: Afarand St. Sattarkhan St. Tehran, Iran.  
 Factory: No. 102, Zagros Blvd, Zagros Industrial Town, Kerman Khodro Blvd, Lashkari Expy, Tehran, Iran.  
 info@irrup.com  
 +982166935437  
 +982166935745